

PRODUCT INFORMATION PACKET

marathon[®]
Motors

Model No: 048C17D2057
Catalog No: X600
1/4,1725,DP,48Z,1/60/100-120/200-240
Other Purpose



Regal and Marathon are trademarks of Regal Beloit Corporation or one of its affiliated companies.
©2018 Regal Beloit Corporation, All Rights Reserved. MC017097E

REGAL[®]

Product Information Packet: Model No: 048C17D2057, Catalog No:X600 1/4,1725,DP,48Z,1/60/100-120/200-240

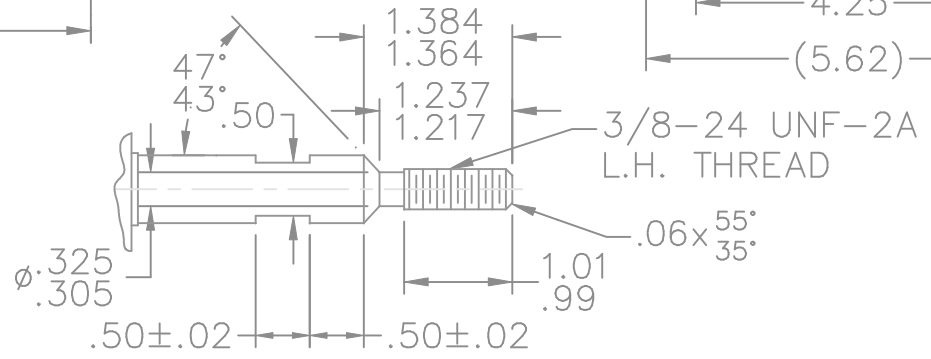
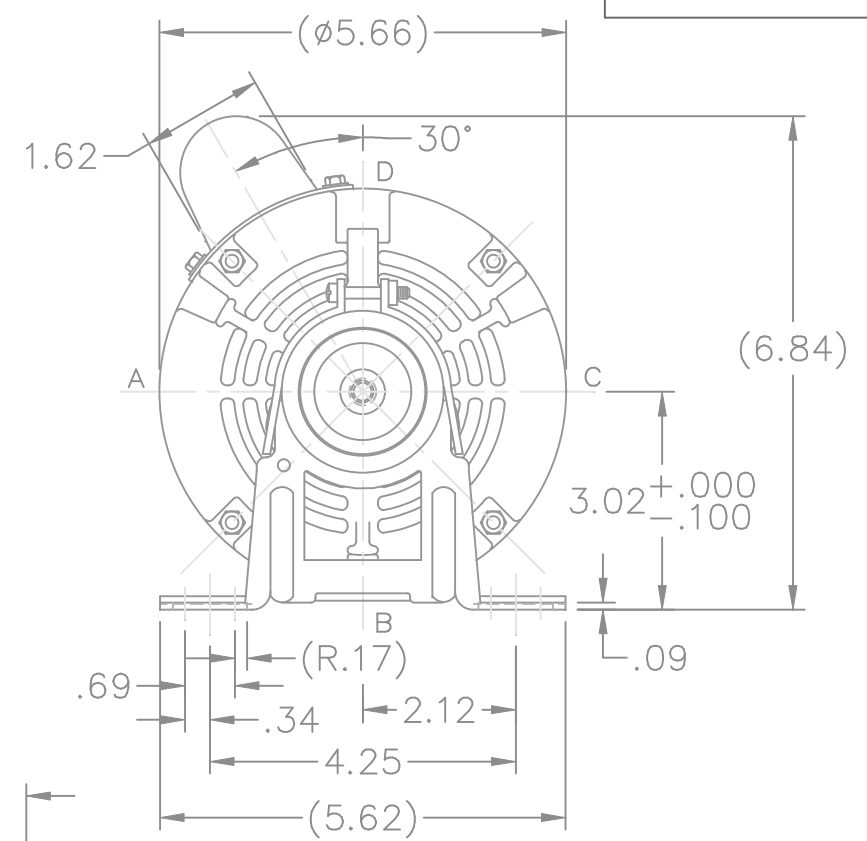
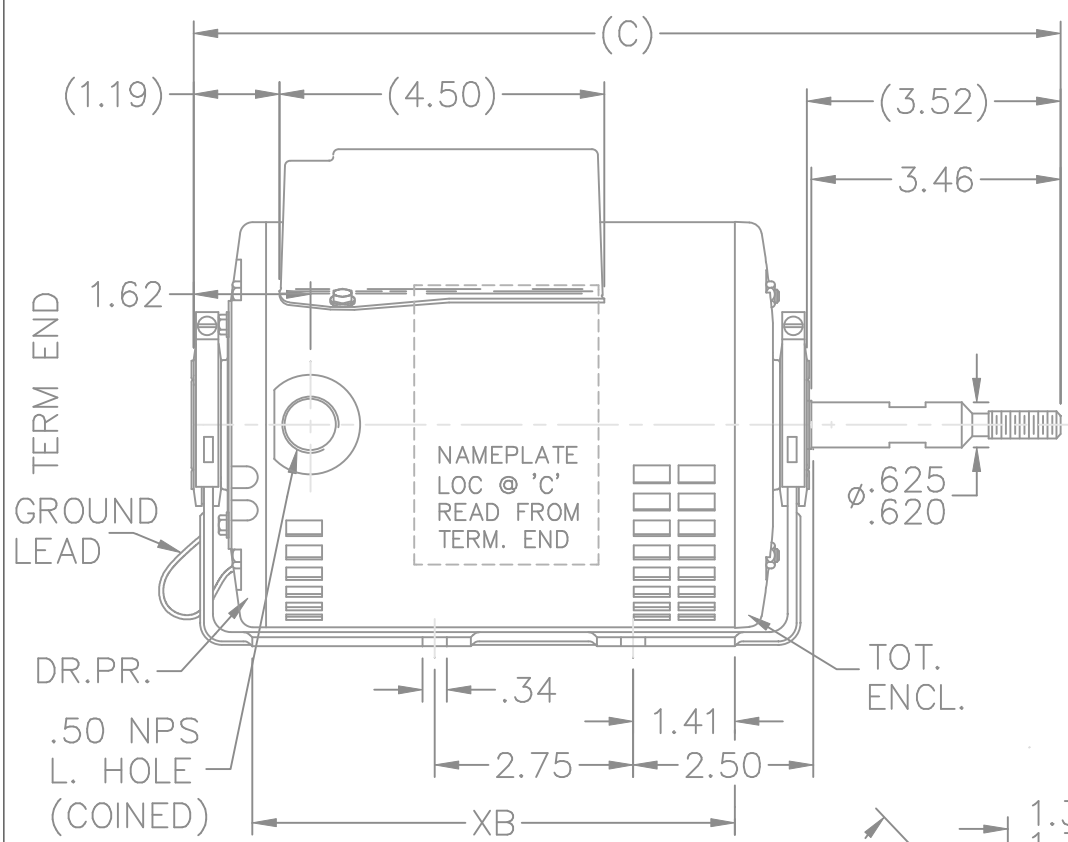
Nameplate Specifications

Output HP	0.25 Hp	Output KW	0.19 kW
Frequency	60 Hz	Voltage	100-120/200-240 V
Current	5.4-6.6/2.7-3.3 A	Speed	1725 rpm
Service Factor	1.35	Phase	1
Efficiency	64 %	Duty	Continuous
Insulation Class	B	Design Code	NO DESIGN CODE
KVA Code	P	Frame	48
Enclosure	Drip Proof	Overload Protector	Automatic
Ambient Temperature	50 °C	Drive End Bearing Size	6203
Opp Drive End Bearing Size	6203	UL	Recognized
CSA	Y	CE	N
IP Code	22		

Technical Specifications

Electrical Type	Capacitor Start Induction Run	Starting Method	Across The Line
Poles	4	Rotation	Fixed Counterclockwise
Mounting	Resilient Base	Motor Orientation	Horizontal
Drive End Bearing	Ball	Opp Drive End Bearing	Ball
Frame Material	Rolled Steel	Shaft Type	Single Special Extension
Overall Length	12.02 in	Shaft Diameter	0.500 in
Shaft Extension	1.5 in	Assembly/Box Mounting	F1 Only
Outline Drawing	A-SS400374-650	Connection Diagram	A-EE9002AV

This is an uncontrolled document once printed or downloaded and is subject to change without notice. Date Created: 10/08/2018



DASH	FRAME	C	XB
650	48	12.02	6.69

NO.	REVISION	BY & DATE	CHK	TOLERANCES UNLESS SPECIFIED	
				DEC.	INCHES
5	REDRAWN IN AUTOCAD	TAT 06-13-2005	ML	.X	±.1
4	.625/.620 WAS 4 PLACE DECIMAL CN 29270	BJW 03-13-2000		.XX	±.03
3	REV. THREADED SHAFT END CN 28429	CAV 09-23-1999		.XXX	±.005
2	REV. SHAFT HEIGHT TOL. WAS 3.02/2.96 CN 26797	BLR 09-22-1998		.XXXX	±.0005
				ANG	±7'30"

MARATHON ELECTRIC

TITLE OUTLINE
48 FRAME

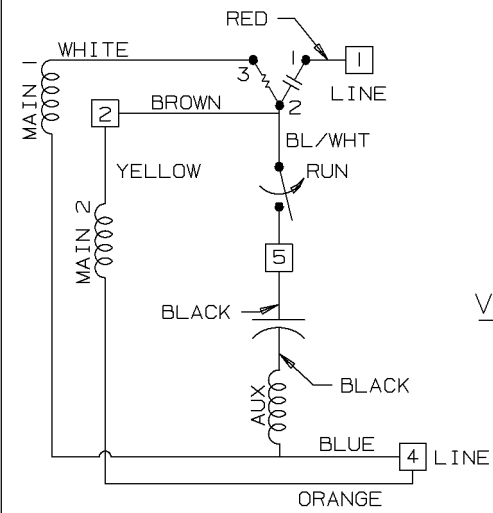
MAT'L.

FINISH

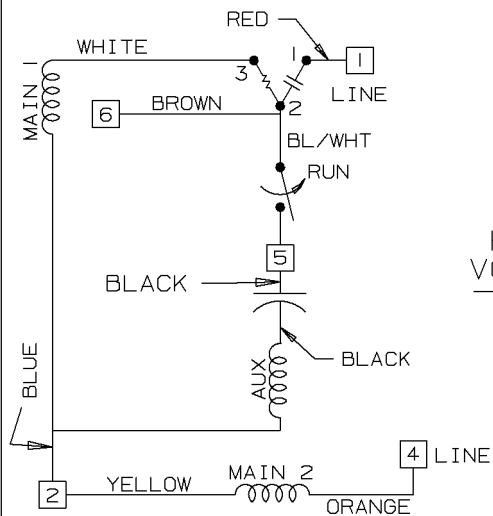
DRAWN	MH 12-09-1997
CHK	ML 12-11-1997
APPD	TOM 12-11-1997
SCALE	3=8
REF	
FMF	
PREV	

THIS DRAWING IN DESIGN AND DETAIL IS OUR PROPERTY AND MUST NOT BE USED EXCEPT IN CONNECTION WITH OUR WORK ALL RIGHTS OF DESIGN AND INVENTION ARE RESERVED THIS IS AN ELECTRONICALLY GENERATED DOCUMENT - DO NOT SCALE THIS PRINT

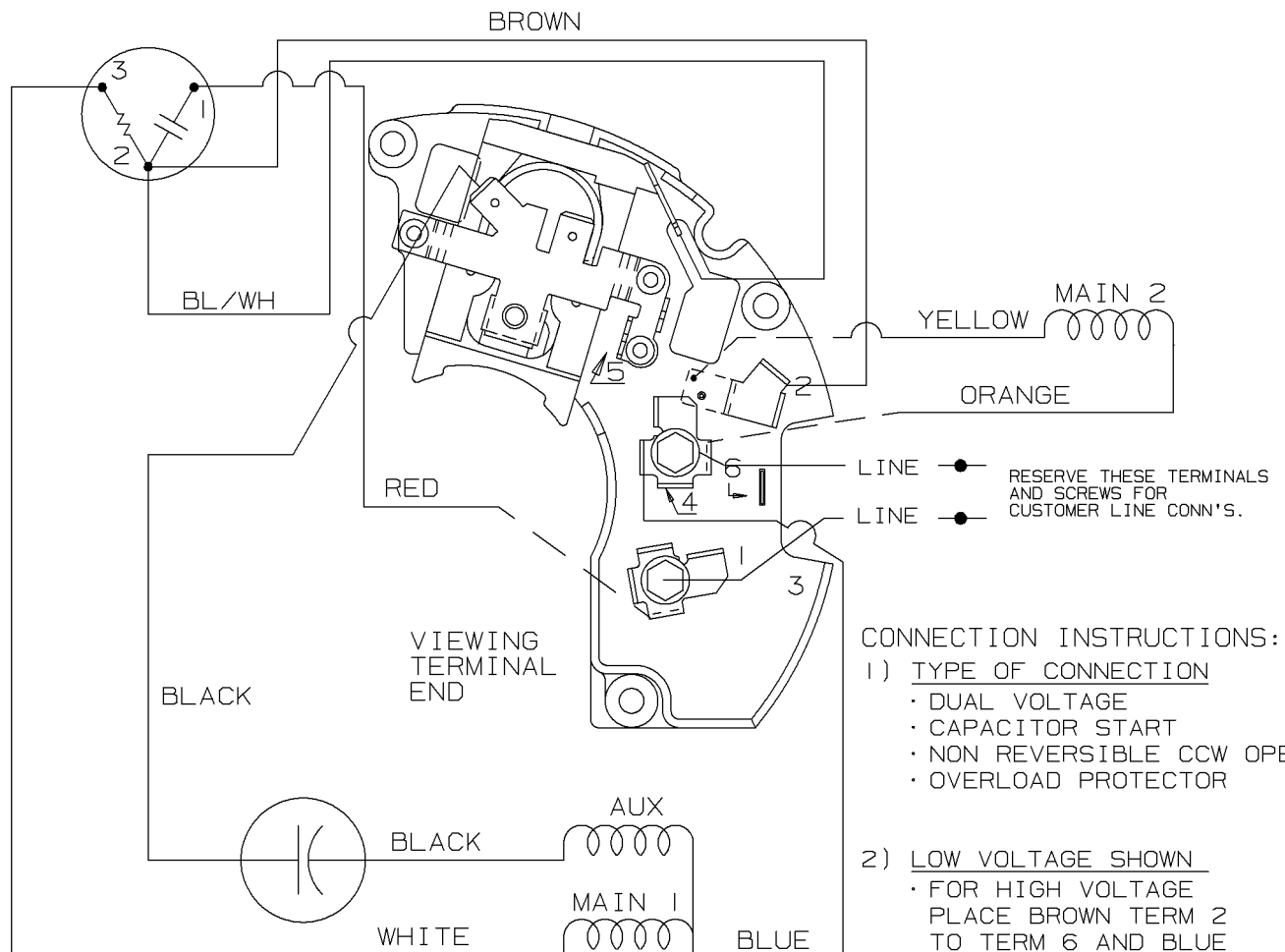
RFP	CAD FILE	ss400374	SIZE	DRAWING NO.	PAGE	OF	REV.
DIST	WP		A	SS400374			5



LOW VOLTAGE



HIGH VOLTAGE



CCW ROTATION-LEAD END

NOTE:
DASH LINES INDICATE LEADS CONNECTED TO MOTOR SIDE OF SWITCH.

- CONNECTION INSTRUCTIONS:
- TYPE OF CONNECTION
 - DUAL VOLTAGE
 - CAPACITOR START
 - NON REVERSIBLE CCW OPE
 - OVERLOAD PROTECTOR
 - LOW VOLTAGE SHOWN
 - FOR HIGH VOLTAGE PLACE BROWN TERM 2 TO TERM 6 AND BLUE TERM 4 TO TERM 2

				✓ MAX. SURFACE ROUGHNESS UNLESS NOTED OTHERWISE	UNLESS OTHERWISE SPECIFIED DIMENSIONS ARE IN INCHES TOL. ON XX±.02 XXX±.005 XXXX±.0005 ANGLES± 7'30"		
				MATL SPEC			DRAWN BY BLR 09-10-1996
				FINISH			CHKD BY ML 10-03-1996
				REFERENCE DRW.			APPD BY ST 10-04-1996
				PART NAME CONNECTION DIAGRAM			DRWG NO A-EE9002AV
REV	DATE	CHANGE	NAME	48 FR. DUAL VOLTAGE CONTROL			

SHOP BOOK

PURCHASED

DISTRIBUTION - WA - LB - WP - LM - BR

CADD FILE NO.

EE9002AV

